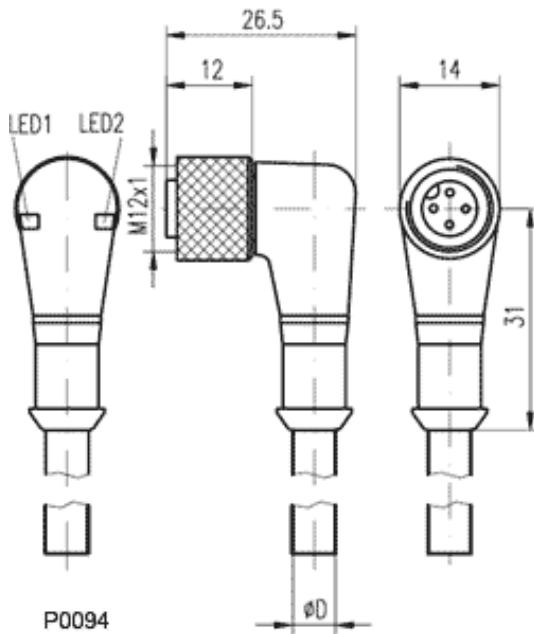


## Accessories: Connectors BKS-S 20-4-PY-



### Common Data

Version	Connector, right angle, 3 pin, 2 LED PU-Cable
Usable with	on Sensors with connection S4 (DC, PNP, n.o., M12)
Manufacturer	Lumberg
Ambient temperature	-25°C...+80°C
Function display	yes
Supply voltage display	yes

### Mechanical Data

Measurements WxHxD or Dia x D	27x31x14
Material	Housing Polyether TPU
Protection class per IEC 60529	IP67
Cable version	fully potted, Li9YH-11YH
Conductor cross section	3 x 0,34mm <sup>2</sup>

### Electrical Data

Supply voltage	10...30V DC
----------------	-------------



Datasheet number::

Definitions see general catalog.  
If not otherwise noted, ratings according to IEC 60947-5-2 (DIN EN60947-5-2)

Balluff GmbH  
Schurwaldstrasse 9  
73765 Neuhausen a.d.F.  
Phone (07158) 173-0 Fax (07158) 5010

Datenblatt by CD-ROM - 04/2007

**BALLUFF**  
sensors worldwide